

Ride-on Scrubber Dryer

Instructions for operation and maintenance

CATALOGUE

LIST	1
OPTIONAL PARTS	1
EXECEPTION CLAUSE	1
TECHNICAL DESCRIPTION	3
SYMBOLS USED IN THE MANUAL	4
GENERAL SAFETY REGULATIONS	5
I 、 MACHINE PREPARATION	6
HANDLING THE PACKED MACHINE	6
HOW TO UNPACK THE MACHINE	6
OVERALL INTRODUCTION	7
TYPE OF BATTERY	9
BATTERY MAINTENANCE	10
BATTERY DISPOSAL	10
RECHARGING THE BATTERIES	10
BATTERY CHARGE LEVEL INDICATOR	11
HOW IT WORKS	11
SUTION DRIVE	11
DAILURE AND PROTECTION	11
FILLING THE SOLUTION TANK	11
RECOVERY TANK	12
ASSEMBLING THE SQUEEGEE	13
ADJUSTING THE SQUEEGEE HEIGHT	13
ASSEMBLING THE BRUSH	14
EMPTY SOLUTION TANK DEVICE	15
II.WORK	16
PREPARATION	16
OVERFLOW DEVICE	17
III.DAILY MAINTENANCE	18
IV. WEEKLY MAINTENANCECLEANING THE BRUSH	20
V. TROUBLE SHOOTING	21
VI. CHOOSING AND USING THE BRUSHES	22

List
Standard Packing List

order	name	unit	quantity
1	Machine	set	1
2	Charge cable	set	1
3	Battery cable	piece	5
4	Squeegee assembly	set	1
5	Suction pipe	piece	1
6	Manual	piece	1
7	QC certificate	piece	1



OPTIONAL PARTS

- Pad holder 17"
- Front squeegee blade rubber grease proof
- Rear squeegee blade rubber grease proof

Replacement Cycle and Warranty Specification for Easily Wounded and Consumption Parts

name	recommended replacement cycle	warranty statement
battery	Charging 600 times	12 months
front squeegee blade rubber	300 hour	No warranty
rear squeegee blade rubber	500 hour	No warranty
brush	700 hour	No warranty
suction motor	1200 hour	12 months
Brush motor	4000 hour	12 months
Suction hose	1000 hour	No warranty
exhaust pipe	1000 hour	No warranty



EXECEPTION CLAUSE

1. Read and check the power supply size indicated on the nameplate before use, And confirm that the current power supply meets the requirements of this product. In case of product damage or personal injury caused by incorrect use of power supply, our company is not liable.
2. Do not use it beyond its rated load. If this causes damage to the parts, our company is not liable.
3. Do not use in ultra-extreme environments (acidic, alkaline, too low or too high ambient temperature), If any damage, accident or injury is caused by it, etc, our company is not liable.
4. Our company is not liable for failure and damage caused by failure to use, maintain, keep or put foreign bodies in.
5. Our company is not liable for damage or injury caused by unauthorized refitting of washing trucks ,etc.

ON CONSIGNMENT OF THE MACHINE

When the machine is consigned to the customer, an immediate check must be performed to ensure all the material mentioned in the shipping documents has been received, and also to check the machine has not suffered damage during transportation. If this is the case, the carrier must ascertain the extent of the damage at once, informing our customer service office. It is only by prompt action of this type that the missing material can be obtained, and compensation for damage successfully claimed.

To avoid harm to the operator and damage to the machine, please read the contents marked this symbol



carefully.



ATTENTION: Danger of exhalation of gas and leakage of corrosive liquids



ATTENTION: danger of fire: do not go near with free flames.

INTRODUCTORY COMMENT

This is a TVX floor scrubbing machine which, by means of the mechanical action of the rotating brush and the chemical action of a water/detergent solution, can clean any type of flooring. As it advances, it also collects any removed dirt as well as the detergent solution not absorbed by the floor.

The machine must only be used for this purpose. Even the best machines will only work well if used correctly and kept in good working order. We therefore suggest you read this instruction booklet carefully and read it again whenever difficulties arise while using the machine. If necessary, remember that our assistance service (organized in collaboration with our dealers) is always available for advice or direct intervention.

INTENDED USE

The scrubbing machine is designed exclusively for the professional cleaning of surfaces and floors in industrial, commercial and public environments. The machine is only suitable for use in closed - or at least covered - locations.

The machine is not suitable for use in the rain, or under water jets. It is FORBIDDEN to use the machine for picking up dangerous dusts or inflammable liquids within places with a potentially explosive atmosphere. In addition, it is not suitable as a means of transport for people or objects.

TECHNICAL DESCRIPTION

TECHNICAL DESCRIPTION	UM	A-11
Clean width	mm	1000
Squeegee width	mm	1200
Working capacity, up to	M ² /H	5950
Disc brush	P/MM (ϕ)	2 / 432
Disc brush rotations	RPM	180
Brush motor	V/W	36 / 450*2
Maximum pressure on the brushes	KG	65
Traction motor	V/W	36 / 650
Maximum forward speed	Km/h	7
Maximum gradient with full load	%	15
Vacuum motor	V/W	36 / 730
Solution tank	L	180
Recovery tank	L	200
Minimum bending radius	mm	1130
Machine dimensions (Excluding Squeegee)	mm	1500X1020X1260
Packing size	mm	1620*1010*1470
Battery compartment (length/width)	mm	590*489
Working voltage	V	36
Battery weight (max)	KG	35*6
Machine weight (empty and without batteries)	KG	230
Gross weight in running order (machine + batteries + water + operator)	KG	690

SYMBOLS USED IN THE MANUAL



Attention



Manual



Watch Your Hand



Warning injure hand



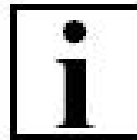
No open flames



Caution Danger of exhalation of gas



Recycle



Information



corrosion



Caution shock



Dangerous waste



Lifting means

GENERAL SAFETY REGULATIONS

The regulations below must be carefully followed in order to avoid harm to the operator and damage to the machine.

- ◆ Read the labels on the machine carefully. Do not cover them for any reason and replace them immediately if they become damaged.
- ◆ The machine must be used exclusively by authorized, trained personnel.
- ◆ During the working of the machine, pay attention to other people and especially to children.
- ◆ Do not mix different types of detergent as this may produce harmful gases.
- ◆ Do not pack the machine when there is residual liquid in it.
- ◆ The storage temperature must be between -25°C and +55°C.
- ◆ Conditions of use: room temperature between 0°C and 40°C with relative humidity between 30 and 95%.
- ◆ Do not use the machine in an explosive atmosphere.
- ◆ Do not use the machine as a means of transport.
- ◆ Do not use acid solutions, which may damage the machine or harm the operator.
- ◆ Avoid working with the brushes when the machine is standing still, so as not to damage the floor.
- ◆ Do not vacuum inflammable liquids
- ◆ Do not use the device to collect dangerous powders.
- ◆ In the event of a fire, use a powder extinguisher. Do not use water.
- ◆ Do not knock against shelving or scaffolding, where there is a danger of falling objects.
- ◆ Select the operating speed according to the traction status.
- ◆ Do not use the machine on surfaces with an inclination greater than the one shown on the plate.
- ◆ When not in use, remove the keys and place the machine in a proper way to keep still.
- ◆ The machine is designed to carry out the washing and drying operations simultaneously. Different operations should only be carried out in areas where the passage of unauthorized persons is prohibited. Signal the presence of damp floors with suitable signs.
- ◆ If the machine does not work properly, check this is not caused by failure to carry out routine maintenance. Otherwise, request the intervention of your dealer After-sale Service Centre.
- ◆ If you need to replace any components, request the ORIGINAL spare parts from a dealer or Authorized Retailer..
- ◆ Only use the brushes supplied with the device, or those specified in the Use and Maintenance Manual.
- ◆ Pull down the emergency brake immediately when there is an operation risk.
- ◆ Before carrying out any maintenance work, switch off the machine and disconnect the battery connector.
- ◆ Make sure the whole electrical connection is recovered after maintenance.
- ◆ Do not remove any protection devices which require the use of special tools.
- ◆ Do not wash the machine with corrosive substances or with pressurized water.
- ◆ Send the machine to a Service Center nearby for servicing after 200 hours of use.
- ◆ To prevent the formation of scale in the solution tank filter, do not fill the tank with detergent solution many hours before using the machine.

- ◆ Before using the machine, check that all the hatches and covers are positioned as shown in this Manual.
- ◆ Before moving the recovery tank, empty the water.
- ◆ When disposing of consumption materials, observe the laws and regulations in force.

When your machine has reached the end of its long working life, dispose of the materials it contains in an appropriate manner (e.g. oil, batteries and electric parts), and bearing in mind that the machine itself was constructed using 100% recyclable materials

I . MACHINE PREPARATION

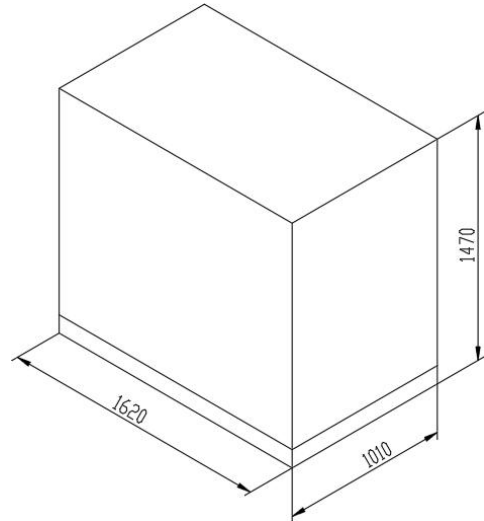
HANDLING THE PACKED

MACHINE

The machine is fixed to a pallet, which is specially designed for forklift handling..

Overall dimensions of the package:

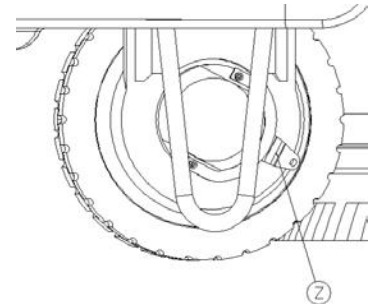
- L: 1620 mm
- W: 1010 mm
- H: 1470 mm



It is not possible to place more than two packages on top of each other.

HOW TO UNPACK THE MACHINE

1. Remove the outer packaging (as figure)
2. The machine is fixed to the pallet with wedges and belts which block the wheel.
3. Remove these belts.
4. Disengage the electronic brake, Pull the lever toward the outside (Z) (On the drive wheels).
5. Get the machine down from the pallet.



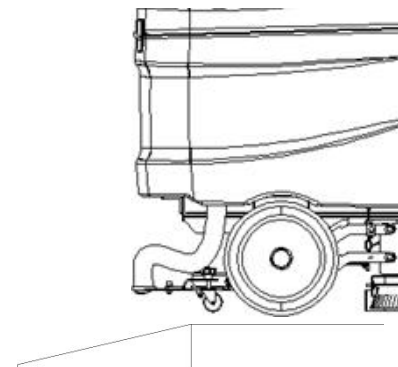
Keep the pallet for any future transport needs.



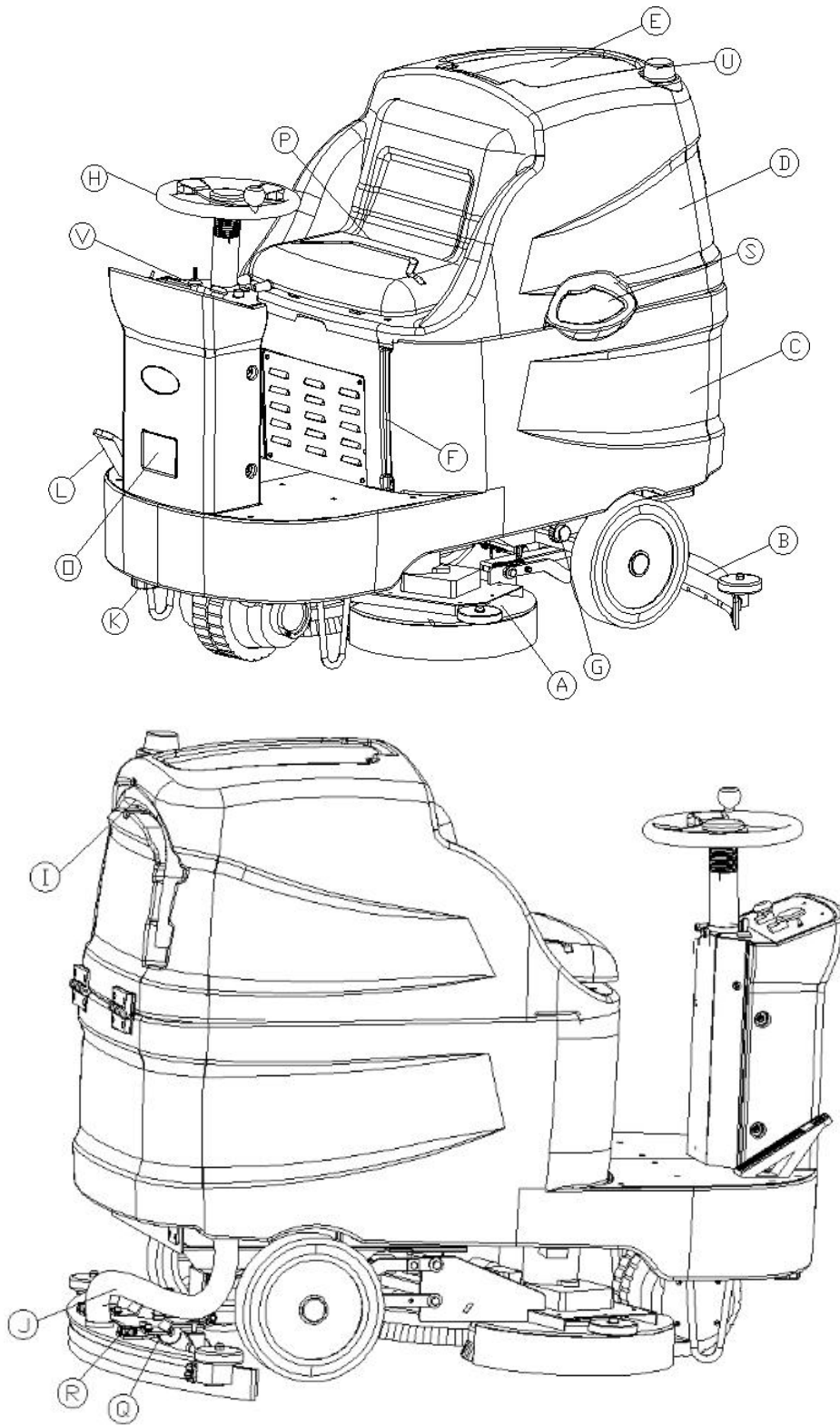
Handle the packed product with suitable lifting means that comply with the legal requirements.



During this operation, ensure that there are no people or objects near the machine.



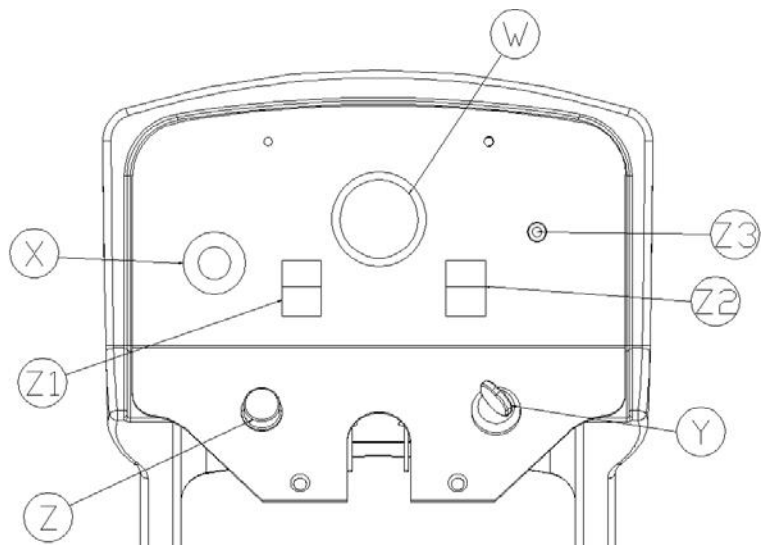
OVERALL INTRODUCTION



- | | | | |
|--------------------------------------|--------------------------|---------------------|-------------------------|
| A: Brush head assembly | B: Squeegee assembly | C: Solution tank | D: Recovery tank |
| E: Recovery tank cover | F: Water level adjuster | G: Filter | H: Steering wheel |
| I: Sewage pipe | J: Suction pipe | K: Outfall | L: Drive pedal |
| O: Light | P: Chair | Q: Squeegee support | R: Rotate handwheel |
| S: Water filling nozzle | T: Cover | U: Caution light | V: Instrument panel |
| W: Level indicator for battery meter | X: Emergency stop button | Y: Key switch | Z: Speed-control switch |

Control panel

- W: Level indicator for battery meter
- X: Emergency stop button
- Y: Key switch
- Z: Speed-control switch
- Z1: Brush switch
- Z2: Squeegee switch
- Z3: Forward back switch



TYPE OF BATTERY

To power the machine there are three types of batteries below:

Lead-acid battery composed of liquid plumbic acid, called WET Battery.

Liquid electrolyte lead traction batteries, called AGM Battery.

Sealed traction batteries with gas recombination or gel technology, called GEL Battery.

For a good operating performance, we suggest the use of six 6V - 200 Ah batteries. OTHER TYPES MUST NOT BE USED.

Max size of the battery: Length=260mm Width=180mm Height=218mm

Max weight of the battery: 35.8kg.



You are advised to always wear protective gloves, to avoid the risk of serious injury to your hands.



You are advised to only lift and move the batteries with lifting and transportation means suitable for the specific weight and size. Connected the battery clamp at the top of the box and then put the battery into the battery compartment.

BATTERY MAINTENANCE

The type of battery must satisfy the requirements of Standard CEI21-5 described.

The dimensions of the battery compartment are: 600mmx530mmx380mm.

To insert batteries proceed as follows:

1. Lock the machine by activating the electronic brake, and then turn the lever (on the rear right-hand side of the machine) anticlockwise.
2. Make sure the recovery tank is empty, turn it as far as it will go.
3. House the batteries in the compartment.
4. Turn the recovery tank back into position.



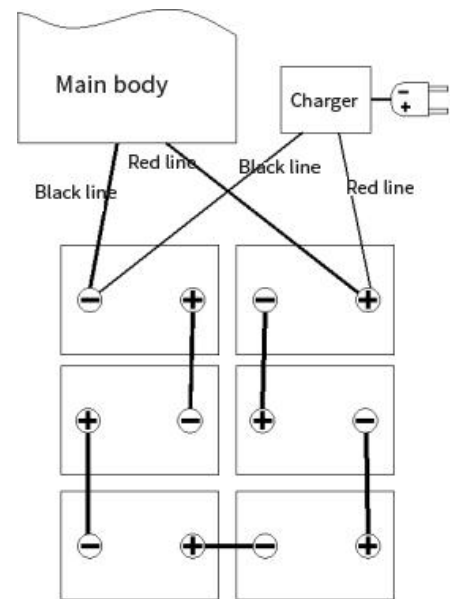
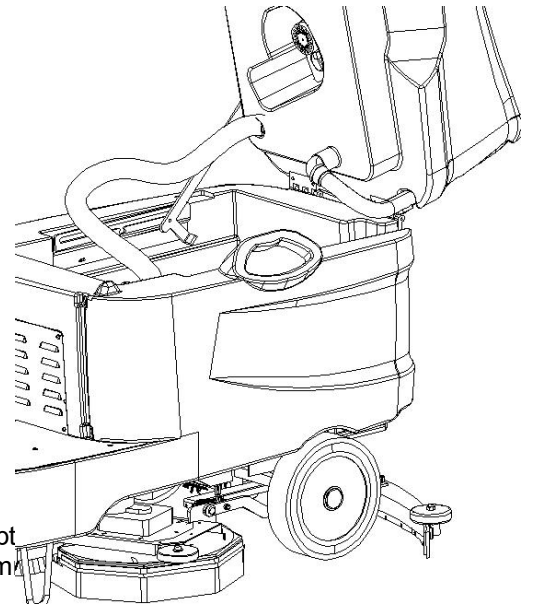
You are advised to use airtight batteries only, to avoid the leakage of acids!



You are advised to always wear protective gloves, to avoid the risk of serious injury to your hands.



This process must be carried out by qualified personnel. An incorrect connection of the connector may cause problems with machine function.



BATTERY MAINTENANCE

For maintenance and recharging, respect the instructions provided by the battery manufacturer. Particular attention must be paid when choosing the battery charger, if not supplied, since there are different kinds according to the type and capacity of the battery.

BATTERY DISPOSAL

When the battery reaches the end of its working life, it must be disconnected by expert, trained personnel, then lifted to remove it from the battery compartment.



Exhausted batteries are classified as dangerous waste. When disposing, observe the laws and regulations in force.

RECHARGING THE BATTERIES

In order not to cause permanent damage to the batteries it is essential to avoid their complete discharge: arrange the recharge within a few minutes of the switching on of the flashing "discharged batteries" signal.

To connect the battery charger you must:

Move the machine near to the battery charger

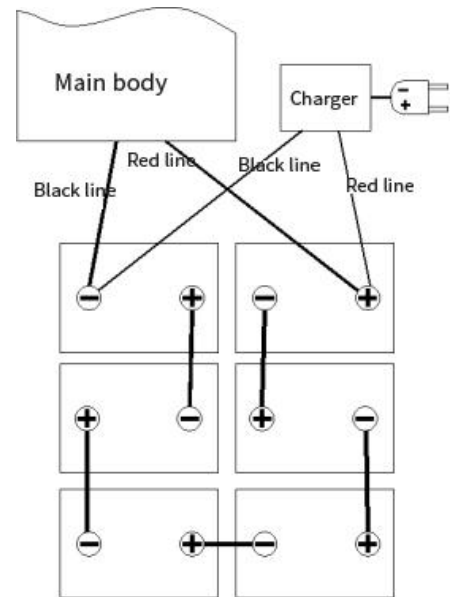
Make sure the recovery tank is empty, otherwise empty it completely, and turn it as far as it will go:

To connect the battery charger you must:

To connect the battery charger you must:

Check the key switch is on "0"; if this is not the case, turn the key of the main switch anticlockwise to "0"

Disconnect the electric system connector from the battery connector , and connect the battery charger to the battery connector



Keep the recovery tank open for the duration of the battery recharge to allow fumes to escape .



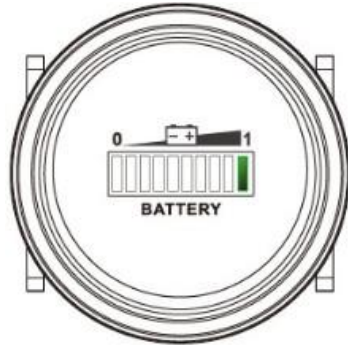
Danger of gas exhalation and leakage of corrosive liquids



Danger of fire: do not go near with free flames

BATTERY CHARGE LEVEL INDICATOR

The battery indicator has 8 positions and 1 blinking light.
8=100% blinking light = 0%



A few seconds after the indicator light comes on, the brush motor switches off automatically. With the remaining charge it is still possible, however, to complete the drying process before recharging.

HOW IT WORKS

Machine walks forward when select the button (Z3) forward and push down the drive pedal (L). The adjustment of the speed will be carried out by varying the pressure on the pedal (L).

Machine walks backward when select the button (Z3) back and push down the drive pedal (L). Adjust the speed by varying the pressure on the pedal (L). Drop the squeegee, the machine could walk forward only

Brush Drive

Brush works when select the button (Z3) forward and drop the brush head and push down the drive pedal (L). It will not work if the brush head is raised or release the drive pedal (L).

Suction Drive

Squeegee works when select the button (X) forward and drop the squeegee.

It will stop working after sixty seconds if raise the squeegee

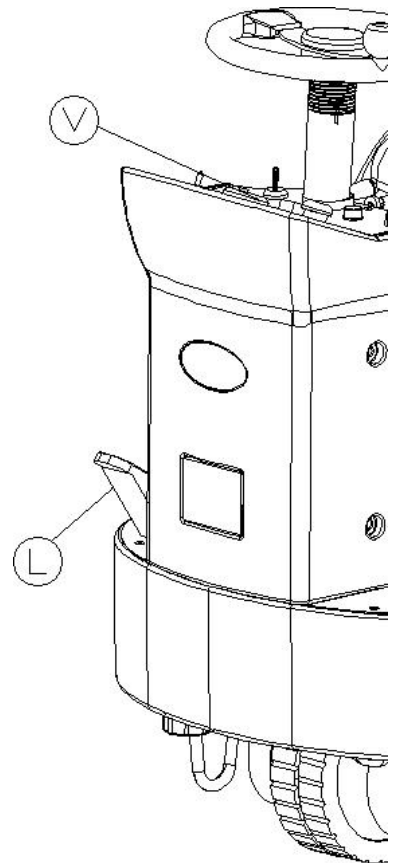


The reverse speed is lower than the forward speed to comply with current health and safety standards

When making even brief reverse movements, make sure the squeegee is raised

DAILURE AND PROTECTION

When battery is low, all operation prohibited.



FILLING THE SOLUTION TANK

Before filling the solution tank:

1. Remove the filler plug on the left of the machine and check that the solution filter is installed properly;
2. Check that the solution filter cap (K), under the solution tank in the front left of the machine is properly closed.



The recovery tank must be completely empty each time the solution tank is filled

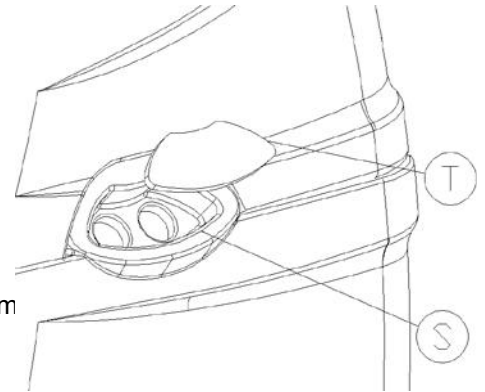
The solution tank can be filled as below:

Removing the inlet cap (S) and filling it using a rubber tube, left side of the machine. Fill with clean water at a temperature not exceeding 50°C.

The amount present in the tank can be seen through the level pipe on the front-right of the seat.

The solution tank has a maximum capacity of about 150liters. Add the liquid detergent to the tank in the concentration and manner indicated on the detergent manufacturer's label.

To prevent the formation of excess foam that could damage the suction m amount of detergent that is necessary.



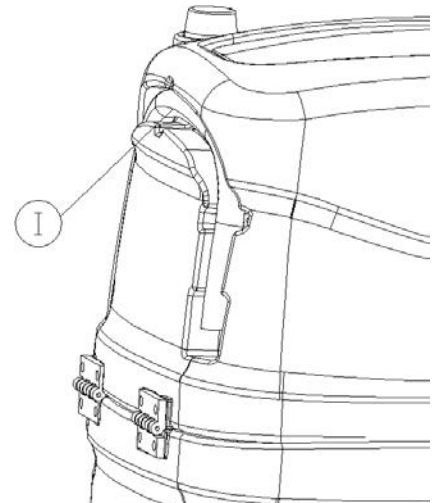
Always use detergents whose manufacturer's label indicates their suitability for scrubbing machines. Do not use acid or alkaline products or solvents without this indication. Acid or alkaline maintenance detergents can be used, as long as they have PH values between four and ten, and do not contain oxidizing agents, chlorine or bromine, formaldehyde, mineral solvents



Protective gloves should always be worn before handling detergents or acidic or alkaline solutions to avoid serious injury to hands



Always use low foam detergent. To avoid the production of foam, before starting to clean, put a minimum quantity of antifoam liquid into the recovery tank. Do not use pure acids.



RECOVERY TANK

Make sure the recovery tank is empty, otherwise empty it completely. Check the cap of the drainage tube (I) (on the rear of the machine) is correctly closed.

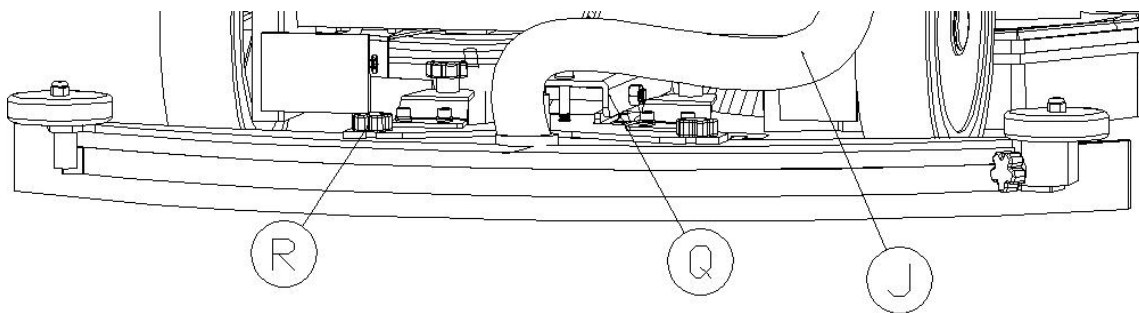
ASSEMBLING THE SQUEEGEE

The squeegee, that for reasons of packaging comes disassembled from the machine, must be assembled while assembling the machine. Proceed as follows for assembly:

1. Lift the squeegee (Q),
2. Turn the main switch key anticlockwise to the "0" position.
3. Remove the key from the instrumentpanel.
4. Loosen the knobs (R) in the squeegee pre-assembly.
5. Insert the left-hand squeegee pin in the left-hand slit of the squeegee connection.
6. Insert the right-hand squeegee pin in the right-hand slit of the squeegee connection, then tighten the knob (R), making sure the washer and spring adhere in the upper part of the squeegee support.
7. Insert the suction hose (J)in the squeegee sleeve



These operations must be carried out using protective gloves to avoid any possible contact with the edges or tips of metal objects



ADJUSTING THE SQUEEGEE HEIGHT

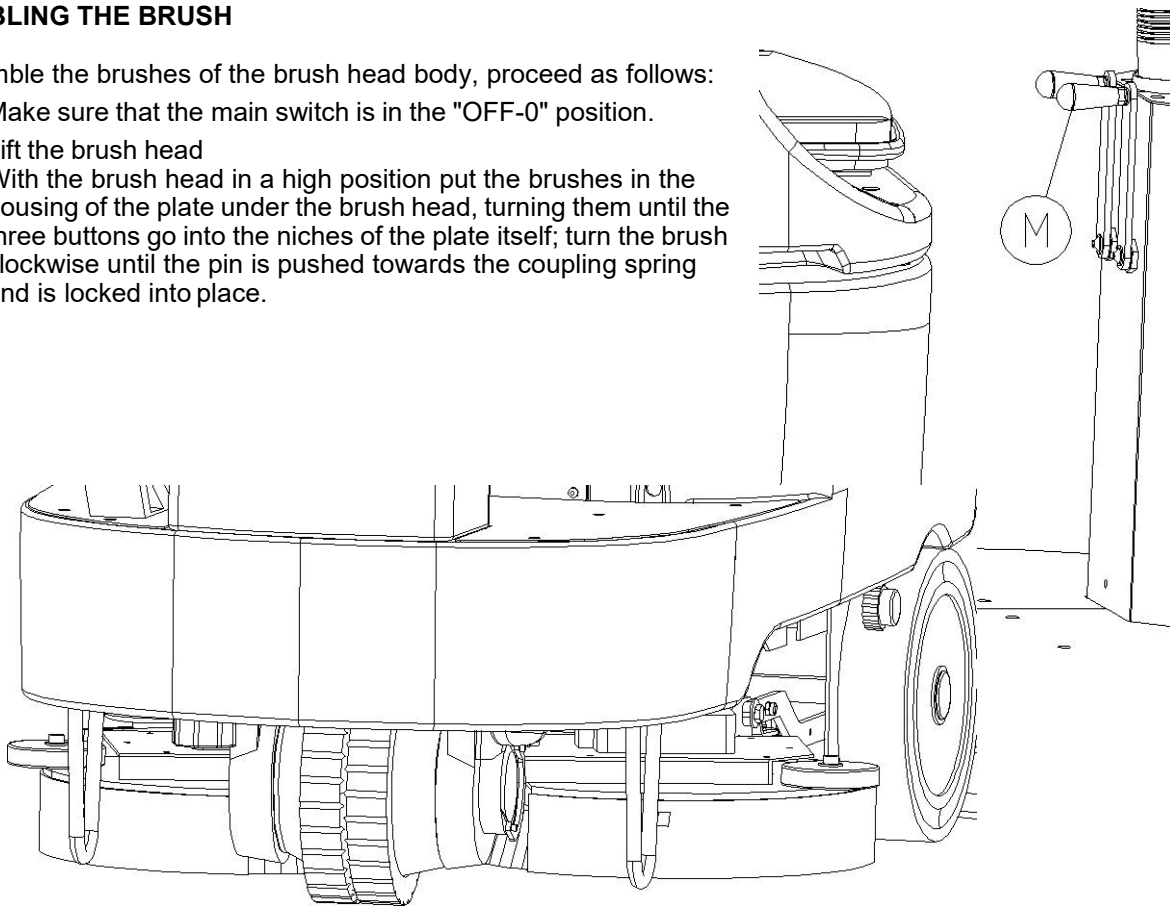
The height of the squeegee must be adjusted on the basis of the state of wear and tear of the rubber. Carry out the following operations for adjustment:

1. unscrew the locking nut,
2. Rotating wheels, adjusting its height,
3. Block it by tightening the locking nut once the required height is reached.

ASSEMBLING THE BRUSH

To assemble the brushes of the brush head body, proceed as follows:

1. Make sure that the main switch is in the "OFF-0" position.
2. Lift the brush head
3. With the brush head in a high position put the brushes in the housing of the plate under the brush head, turning them until the three buttons go into the niches of the plate itself; turn the brush clockwise until the pin is pushed towards the coupling spring and is locked into place.





You are always advised to wear protective gloves, to avoid the risk of serious injury to your hands.

Cut down all electric current in order to protect your hands



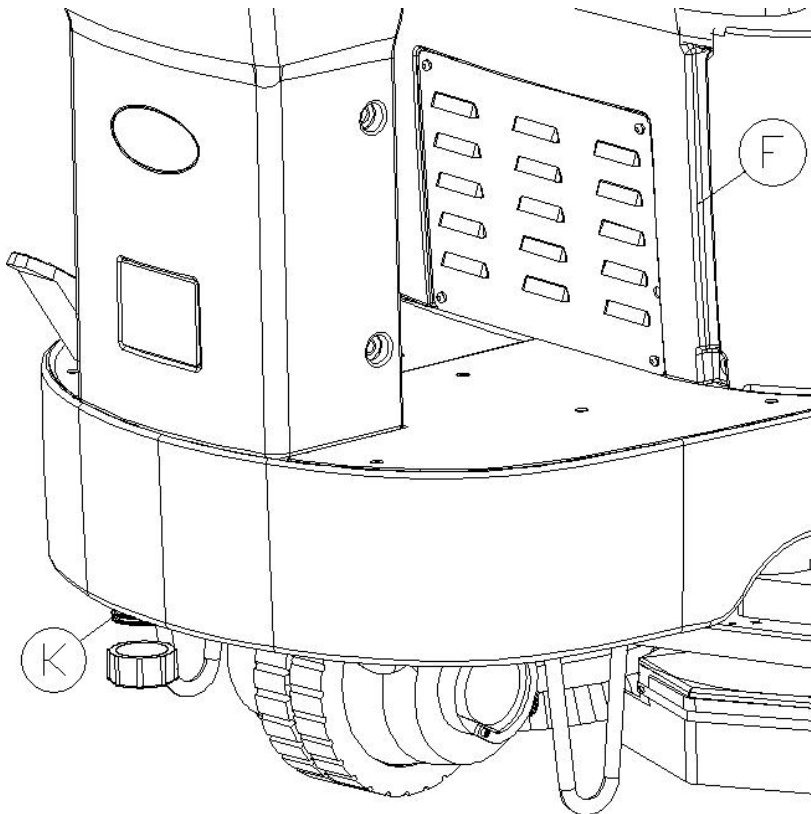
During this operation, ensure that there are no people or objects near the brush.

ATTENTION: Check the brush is correctly inserted. If this is not the case, the machine could move in an irregular, sudden manner.

4. Recommended exchange positions around the left and right brush daily, if there appeared frizzle after using several times, and to avoid wear and tear caused due to different degrees of bristles extra cleaning brush consumption and vibration on the motor, it should better to install them back to the initial position (right brush attached to the right side, left brush attached to the left side).

EMPTY SOLUTION TANK DEVICE

1. To check the quantity of water in the solution tank there is a suitable level indicator tube (F) placed on the right of the driver seat.
2. Push machine to the effluent discharge point, unscrew the water drain-pipe (K), the water discharged into the sewer, until the solution tank is empty.
3. Tightened the Solution tank drain pipe (k) cap, and then put it back to its position.



II.WORK

PREPARATION



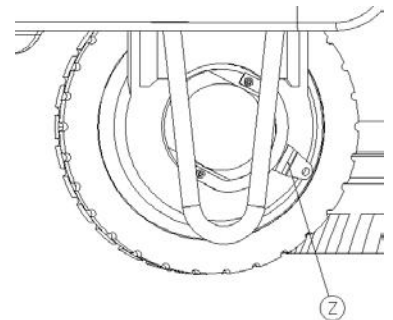
Make sure the recovery tank is empty, otherwise empty it completely;

1. Check the key switch (Y) is on "0"; if this is not the case, turn the key of the main switch to "0".
2. Connect the battery connector to the electric system connector.
3. Check the electronic brake
4. Sit on the driver's seat
5. Turn the key of the main switch a quarter of a rotation clockwise The display on the instrument panel will immediately come on. Please don't have any operation within 5 seconds after boot, the machine should be self-checking
6. Lower the brush head by turning the right lever clockwise, then lower the squeegee turning the left lever anticlockwise;



As soon as the forward movement pedal is activated with the brush head in its work position, the solenoid valve will start working and will begin dispensing detergent solution. As soon as the squeegee is in its work position, the vacuum motor will switch on and being working

7. elect the forward gear, and to do this use the switch on the steering column;
8. Press the accelerator pedal (L) to start moving the machine;
9. To go backwards, stop the machine and select the desired direction, and to do this use the switch (X) on the steering column and afterwards press down on the pedal (L);



The squeegee must be lifted from the ground during backward movement.



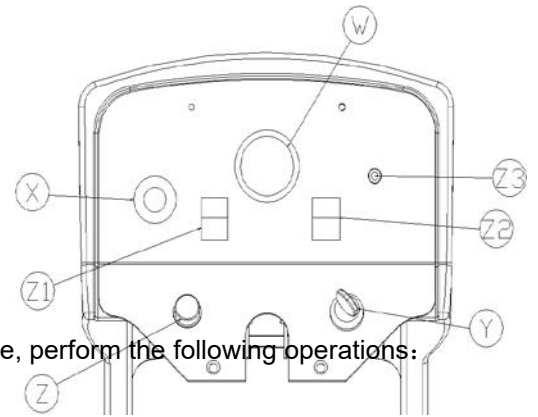
During the first meters, check there is sufficient solution and that the squeegee dries perfectly. The machine will now begin to work with full efficiency until the battery is flat or the detergent solution has finished.

OVERFLOW DEVICE

Recovery tank is full, shuts off the air to the suction motor intake to protect it
Then proceed with emptying the recovery tank through a special drainage pipe.

EMERGENCY BUTTON

If there are any problems while you are working, press the emergency button(X) beneath the seat. This command interrupts the electric circuit between the batteries and the machine system, so the machine stops and the electric brake is triggered. To resume work (after resolving the problem), switch off the key, restore the button (X) to its standard position, then switch the key back on again.



AT THE END OF WORK

At the end of the work, and before carrying out any type of maintenance, perform the following operations:

1. Close the tap by moving the knob (G) upwards.
2. Lift the brush head by turning the right lever (M) anticlockwise, then lift



Before performing any maintenance, remove the keys from the panel and disconnect the battery connector of the machine

3. Turn the machine off by turning the key one quarter turn anticlockwise and remove it from the panel
4. Disconnect the tube (I) from its seat, unscrew the drainage cap (H) and empty the recovery tank
5. Screw the drainage cap and replace the tube (I) back to the seat.



Be sure to remove the key as well as tighten auxiliary brake on the drive wheel when the operator leaves the seat, and park



III.DAILY MAINTENANCE

CLEANING THE RECOVERY TANK

1. Bring the machine to the place provided for draining the water;
2. Disconnect the tube (I) from its seat, unscrew the drainage cap (H) and empty the recovery tank;



Before performing any maintenance, remove the keys from the panel and disconnect the battery connector of the machine.



This operation must be carried out using gloves to protect against contact with dangerous solutions

3. Lift the recovery tank (E);
4. Clean and rinse the recovery tank
5. Reassemble all the elements.



Be careful not to hit the recovery tank float directly, as this would enable water to enter the vacuum motor connected to it

CLEANING THE SOLUTION TANK FILTER

Careful cleaning of the detergent/water solution filter ensures a better working capacity. Proceed as follows for cleaning

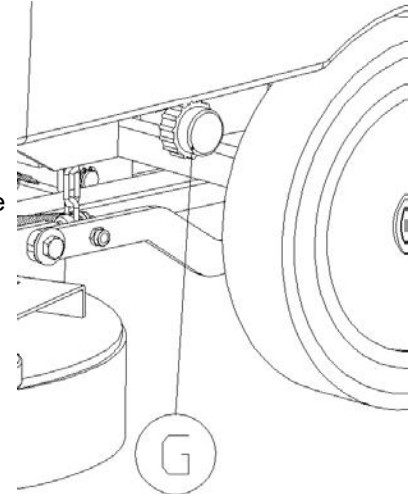
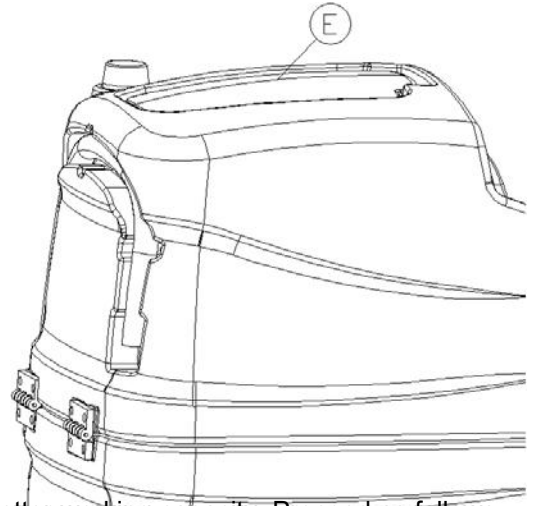
1. Check the main switch is on "0";
2. Loosen the filter cap (4) on the front of the machine
3. Remove the internal filter cartridge and rinse everything thoroughly with running water
4. Reassemble all the elements



Before performing any maintenance, remove the keys from the panel and disconnect the batteryconnector



These operations must be carried out using gloves to protect against contact with dangerous solutions.



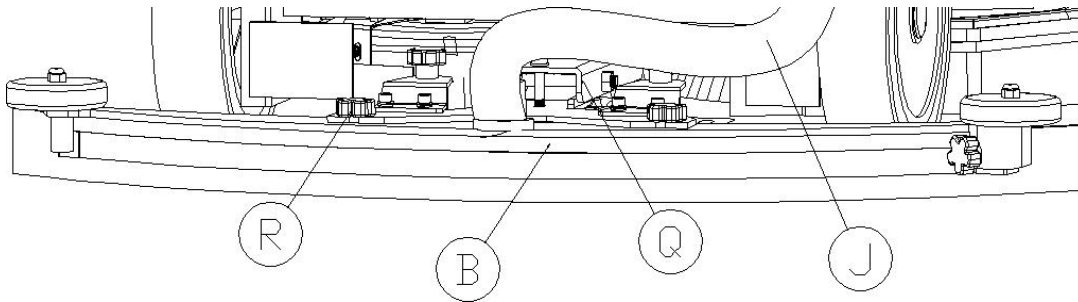
CLEANING THE SQUEEGEE

The careful cleaning of the whole vacuum unit ensures better drying and cleaning of the floor as well as greater duration of the suction motor.

1. Remove the tube (J) from the squeegee.
2. Release the Squeegee fixed nut, then take down the squeegee
3. Carefully clean the inside of the squeegee and rubbers.
4. Every week, or whenever suction seems to be unsatisfactory, check the squeegee tube is not obstructed. To clean it.
5. Reassemble all the elements again.



This operation must be carried out using gloves to protect against contact with dangerous solutions



CLEANING THE BATTERY COMPARTMENT

Empty the battery compartment each time you remove the batteries, check there is no fluids.



This operation must be carried out using gloves to protect against contact with dangerous solutions.



Danger of fire: do not go near with free flames.



Danger of exhalation of gas and leakage of corrosive liquids.

IV. WEEKLY MAINTENANCE

CLEANING THE BRUSH

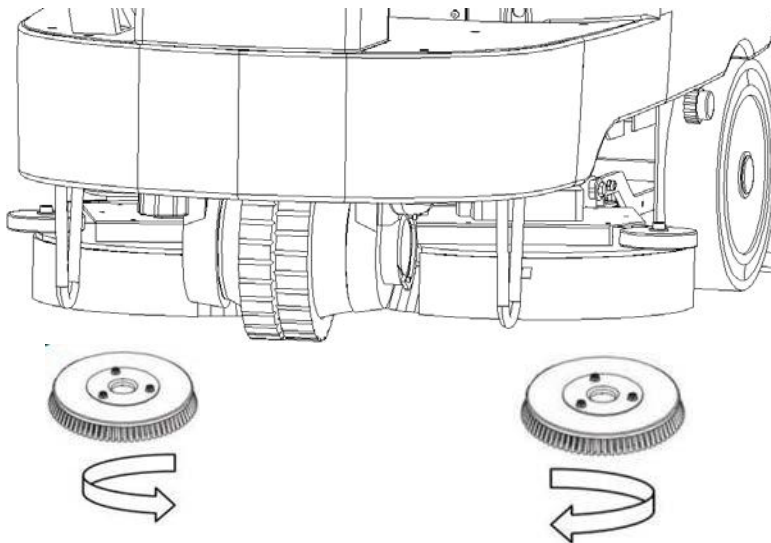
Thorough cleaning of the brush will guarantee a better working capacity. Proceed as follows for cleaning:

1. Check the main switch is on "0" (turn it to this position if necessary).
2. Raise the brush head
3. Turn down the brush.



During this operation, ensure that there are no people or objects near the brush.

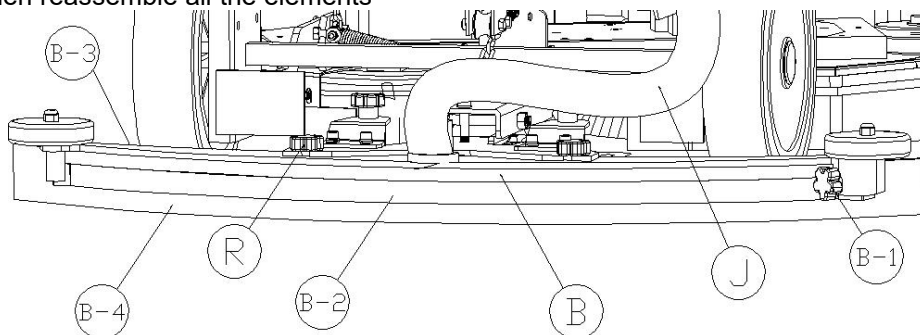
4. Take the brush and clean it under a flowing jet of water.
5. Reassemble it on the brush head body.



Replacing the squeegee rubbers

1. Remove the tube (J) on the sleeve on the squeegee.
2. Rotate the nut (R) the squeegee.
3. Unthread the squeegee (B).
4. Loosen the screw that block the rubber-pressing blade and take down the plate stainless steel.
5. Reassemble the rubber.

Then reassemble all the elements



V. TROUBLE SHOOTING

Before you take it to repair or call our customer service to help, you should check out those problems.

Phenomena	Reason	Method
Brush motor can't work	<ol style="list-style-type: none"> 1. Check out whether electricity is good; 2. Check out whether motor switch is on; 3. Check out whether the voltage is good. 	<ol style="list-style-type: none"> 1. Plug in the power and make sure the fuses are normal work; 2. Turn on the switch of motor; 3. The batteries are fully charged
Water can't come out from the brush or slightly	<ol style="list-style-type: none"> 1. Filter or joint is clogged; 2. Clean the drier ground at first ,so the water can't catch up with it 3. The solenoid valve is clogged or rejected. 	<ol style="list-style-type: none"> 1. Take down the filter and joint ,then wash them; 2. If the ground is drier, you must spray it extra; 3. Take down the solenoid valve, then wash it .
Suction abate	<ol style="list-style-type: none"> 1. The cover of recovery tank is not sealed; 2. Hose clamp loose; 3. Suction Motor loose or defection ; 4. The suction hose is not completely blocked; 5. Battery low. 	<ol style="list-style-type: none"> 1. Check the seal rubber of cover and make sure the cover will be sealed 2. Check out and lock the hose clamp; 3. Make sure the motor install well and tighten the screw 4. Dredge the pipe 5. Charge the batteries.
Fuse crack of battery terminal and cable heating	<ol style="list-style-type: none"> 1. Cable can't tightened well that lead to bad contact ; 	<ol style="list-style-type: none"> 1. Tighten the screw;
Water absorption is not clean	<ol style="list-style-type: none"> 1. Suction motor do not work; 2. Suction hose is blocked; 3. The squeegee is blocked with something; 4. The squeegee is totally worn-out; 5. The height of the squeegee is not suitable. 	<ol style="list-style-type: none"> 1. Check out the motor (according to above;) 2. Clean them ; 3. Clean them; 4. Change squeegee blade rubbers; 5. Adjust the height of the squeegee.
The brush do not clean well	<ol style="list-style-type: none"> 1. The motor of the brush can not work; 2. Dirt is too stubborn; 3. Brush is serious abrasion; 4. Something twine round the brush. 	<ol style="list-style-type: none"> 1. Check out the motor; 2. Use appropriate cleaning fluid; 3. Change the brush; 4. Clean them.

VI. CHOOSING AND USING THE BRUSHES

POLYPROPYLENE BRUSH (PPL)

Used on all types of floors. Good resistance to wear and tear, and hot water (no greater than 60°C). The Polypropylene brush is non-hygroscopic and therefore retains its characteristics even when working in wet conditions.

NYLON BRUSH

Used on all types of floors. Good resistance to wear and tear, and hot water (no greater than 60°C). The Nylon brush is hygroscopic and easy-extended; as a result it cannot retain its characteristics when working in wet conditions.

ABRASIVE BRUSH

The bristles of this type of brush are extremely hard. It is used to clean very dirty floors. To avoid floor damage, work only with the pressure strictly necessary.

STEEL BRUSH

It is made up of steel wire and artificial fiber blends and used to clean rough roads, floors with big joints or dirt which is difficult to clean up.

THICKNESS OF THE BRISTLES

Thicker bristles are more rigid and are therefore used on smooth floors or floors with small joints. On uneven floors or those with deep joints, it is advisable to use softer bristles which can enter the gaps more easily.



Remember that when the bristles are worn and therefore too short, they will become rigid and are no longer able to penetrate and clean deep down. In this case, like with over-large bristles, the brush tends to jump.